

# Cartwheels & Clovers

## Layout & Construction Summary – 4ply Saffron Top



*A crochet pattern by Merrian Holland*

**US CROCHET TERMINOLOGY**

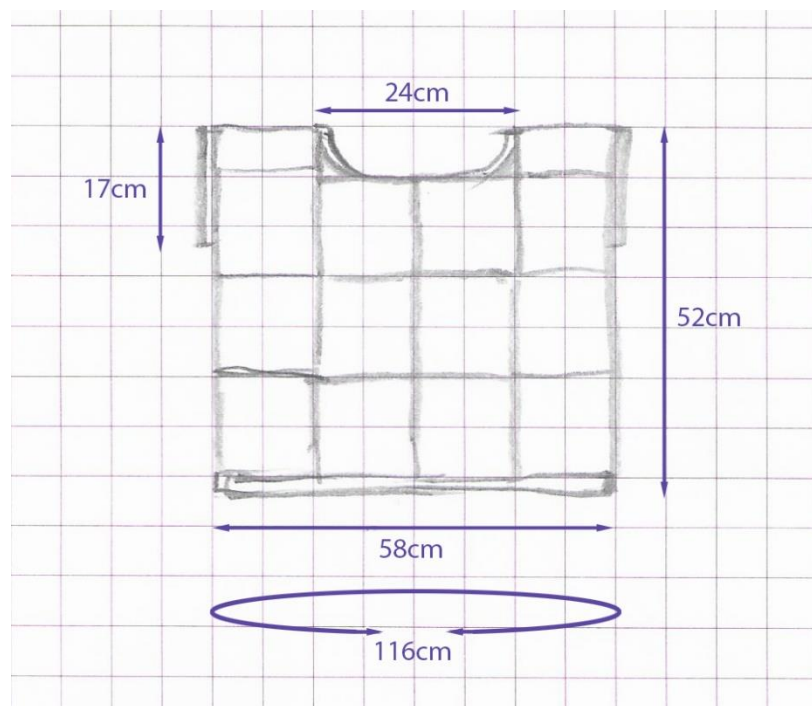
## Schematics

The measurements to the left are achieved with the following:

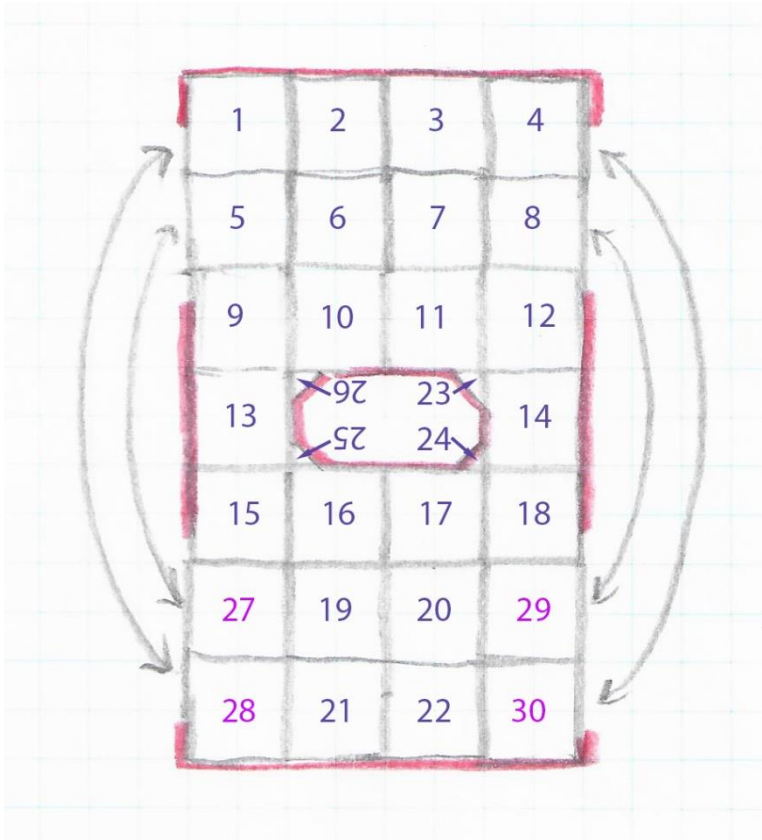
**Yarn:** 4ply/fingering cotton

**Hook:** 3mm

**Block size:** 14.5cm x 14.5cm



### Motif Layout & Order of Construction.



Make the motifs in the order shown, joining each when making the last round of the motif.

- Make pieces 1-22 of the front and back.
- Then do the neck shaping motifs and neck border.
- When you make the last 4 motifs (27-30), use these to join the front of the top to the back. Remember to leave the appropriate corner of motif 28 and 30 unattached to create the side split.
- Reduce the size of the armhole if necessary – increase the side seam by placing a secure stitch, through front and back motifs, halfway along the hdc cluster.
- Make the sleeve border/edging.
- Make the hem edging.
- Wash, block, dry and wear with pride!